

Honeywell Vista 15P & 20P

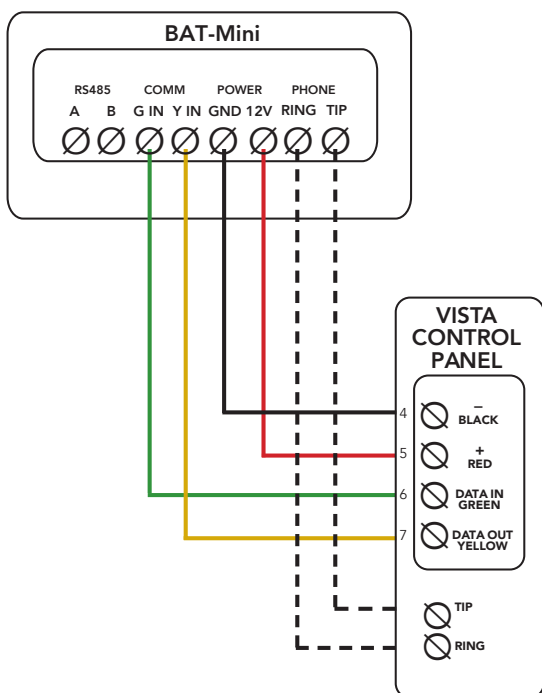
Program the panel for Full Interactive control with BAT-Mini.

- The installer code provided is the default. This code may vary by installation.

Enable Contact ID Reporting:

Keypad Display	Keypad Entry	Action Description
Disarmed	4112,8,00	To enter the programming menu
Installer code 20	*40	To go to PABX Access Code
PABX	*	To clear entries
Pri. Phone	*41	To go to primary phone setting
Pri. Phone	123456*	Enter phone number (123456 is an example)* to save
Sec. Phone	*43	To go to primary account number
SubID. Pri.	1234*	Enter account number (1234 is an example)* to save
SubID. Sec.	*47	To go to phone system menu
Phone Sys.	1	Press 1 to select tone dialing
Rep Form Pri/Sec	*48	To choose Report Format
Rep Form Pri/Sec	77	To select Ademco Contact ID reporting
Split/ Dual	*65	To go to Open Report code
Open Rpt. (15P) Open Rpt. 123 (20P)	1 100	To enable Open report code
Awy/Sty Rpt. (15P) Awy/Sty Rp 123 (20P)	*66	To Arm Away/Stay Rpt Code
Awy/Sty Rpt. (15P) Awy/Sty Rp 123 (20P)	11*	To enable Away/Stay ARM reporting code
RF LB Rpt.	*70	To go to Alarm/Restore reporting code
Alm Res Rpt	1	To enable alarm/Restore reporting code
Trb Res Rpt	*84	To set Auto-Stay Arm
Auto Stay Opt	0	Disable Auto-Stay Arm for Partition 1
Cross Zn Timer	*99	To exit and save

- Power down the system and proceed to wiring



- Power up the panel
- Once the panel and BAT-Mini are online, navigate to the Communications tab of Alula-Connect, enter the panel's installer code, and initiate Device Action > Sync Panel Data
Panel Sync synchronizes panel programming with the BAT-Mini

Verify proper enrollment and operation using your control panel's installation manual.

DSC 1616 / 1832 / 1864

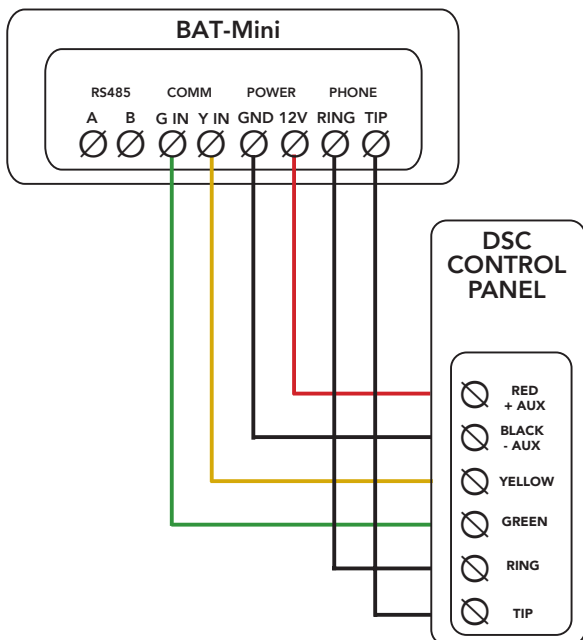
Program the panel for Full Interactive control with BAT-Mini.

- The installer code provided is the default. This code may vary by installation.
- If Quick Arm is enabled, Arming Events are reported as user 0.
- Power down the system and proceed to wiring

Enable Contact ID Reporting:

LED indication on Keypad	Keypad Entry	Action Description (LED keypad)
Ready: steady Green	*8 + Inst. Code	To enter in Programming mode.
Armed: steady Red	301	To enter section "First phone number"
Ready: steady Green	123456*6*#	Enter actual or non-existing number (any number will do, "123456" is an example) followed by *6*(HEX [F]).
Armed: steady Red	310	To enter section "System account code"
Ready: steady Green	1234*66	Enter 4-digit account number to receive the events from ("1234" is an example) and close it with *66(HEX [FF]).
Armed: steady Red	311	To enter section "Partition 1 account number"
Ready: steady Green	1234	Enter 4-digit account number to receive the events from ("1234" is an example).
Armed: steady Red	350	To enter section "Communicator Format Options"
Ready: steady Green	03#	03 is for Contact ID (you can program SIA or Pulse* as well)
Armed: steady Red	351	Alarm/Restore Communicator Call Directions for partition 1
Ready: steady Green	1#	Toggle 1 - ON to enable Alarm/Restore reports (Default option is ON). (if you have more partitions, repeat this and the next step for 352-358 for partition 2-8).
Armed: steady Red	367	Open/Close Communicator Call directions for partition 1 (if you have more partitions, repeat this and the next step for 368-374 for partition 2-8).
Ready: steady Green	1#	Toggle 1 - ON to enable Open/Close reports (if 1 on the keypad is lit - then it is ON).
Armed: steady Red	380	To enter section "First Communicator Options Code"
Ready: steady Green	1#	Toggle 1 - ON to enable the system communicator (options 3 and 4 must be OFF).
Armed: steady Red	381	To enter section "Second Communicator Options Code"
Ready: steady Green	7#	Toggle 7 - OFF. The system automatically generates all reporting codes transmitted. To manually program the reporting codes in the section 381, enable option 7 to ON and then set the desired reporting codes in menus 320 to 349.
Armed: steady Red	#	Exit Programming mode

- Power down the system and proceed to wiring



- Power up the system
- Once the panel and BAT-Mini are online, navigate to the Communications tab of AlulaConnect, enter the panel's installer code, and initiate Device Action > Sync Panel Data

Interlogix NX

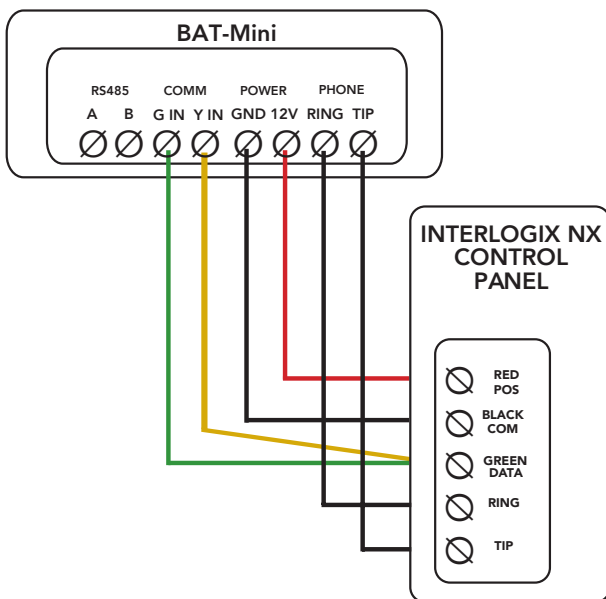
Program the panel for Full Interactive control with BAT-Mini.

- The installer code provided is the default. This code may vary by installation.
- Power down the system and proceed to wiring

Enable Contact ID Reporting:

LED	Keypad Entry	Action Description
LEDs of Ready, Power Steady ON	*8 9713	To enter programming mode
Service LED blinks	0#	To go to main panel programming menu
Service LED blinks, Armed LED steady ON	0#	To enter phone number menu
Service LED blinks, Ready LED steady ON	15*1*2*3*4*5*6*#	15* (to choose phone dialing), followed by your desired phone number (123456 is just an example) each figure is followed by *, # to save and go back
Service LED blinks, Armed LED steady ON	1#	To go to account number menu
Service LED blinks, Ready LED steady ON	1*2*3*4*#	Enter the desired account number (1234 is an example), # to save and go back
Service LED blinks, Armed LED steady ON	2#	To go to communication format
Service LED blinks, Ready LED steady ON	13*	To choose Contact ID, * to save
All Zone LEDs are ON	4#	To go to events reported to phone 1
All Zone LEDs are ON	*	To confirm all events reporting and go to next section
All Zone LEDs are ON	*	To confirm all events reporting and go back
Service LED blinks, Armed LED steady ON	23#	To go to feature report section
Service LED blinks, Ready LED steady ON	**	To go to section 3 of the toggle options menu
Ready Led steady ON	1*	To enable Open/Close reporting
Service LED blinks, Armed LED steady ON	Exit, Exit	Press "Exit" two times to exit programming mode

- Power down the system and proceed to wiring



- Power up the system
- In AlulaConnect run a Panel Sync command to synchronize panel programming with the BAT-Mini.